

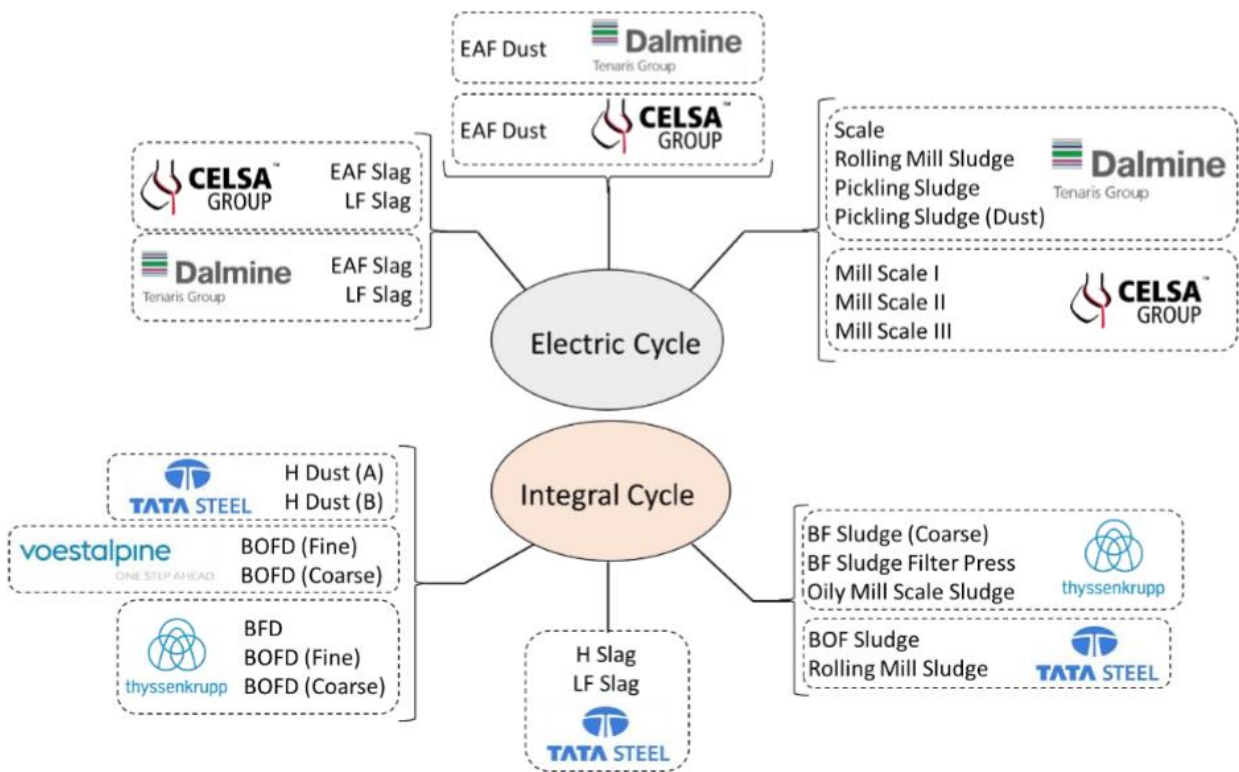
ReMFra

Newsletter #3 November 2023



Current activities

In **Work Package 3** the pre-treatment steps for every feedstock is described. The use of by-products of both the electric and the integral cycle, shows the big possibilities of the ReMFra project for many steel plants.



A very interesting project meeting was held after the ESTEP event in Barcelona organized by the project partner Barna Steel Sa (Celsa Group). In a well-organized meeting, the project partner showed the submitted deliverables until now and also presented an outlook on the ongoing work packages.

ReMFra

Newsletter #3 November 2023

The ReMFra project



The **objectives** of the ReMFra project is to demonstrate and qualify a system for the recovery and the valorization of the metal and mineral fractions contained in steel making processing residues, to improve the metal recovery yield, to reach the full circularity and to **reduce** the **environmental impact** of the steel sector all over Europe.

Dissemination activities



The project partner started the ambitious dissemination activities under the lead of K1-MET:

- ✓ Presentation at the ESTEP Conference by Marco Simoni (Rina-CSM) and Wolfgang Reiter (K1-MET GmbH)



Outlook on the next activities

To reach our **innovative goals**, the next steps in the project are:

Work Package 3 is still ongoing. The next tasks are:

- ✓ Basic and detailed design of Plasma Reactor
- ✓ Basic and detailed design of RecoDust
- ✓ Overall ReMFra process design and infrastructure definition

ReMFra

Newsletter November 2023

PROJECT PARTNERS:



Starting with the project coordinator, the consortium is composed as follows:

- [Tenaris Dalmine](#) (Italy, Coordinator)
- [Tenova](#) (Italy)
- [RINA Consulting – Centro Sviluppo Materiali](#) (Italy)
- [European Steel Technology Platform](#) (Belgium)
- [voestalpine Stahl](#) (Austria)
- [Montanuniversität Leoben, Chair of Thermal Processing Technology](#) (Austria)
- [FEhS Institut fuer Baustoffforschung e.V.](#) (Germany)
- [thyssenkrupp Steel Europe](#) (Germany)
- [Tata Steel Netherland Technology](#) (The Netherlands)
- [Barna Steel \(Celsa Group\)](#) (Spain)
- [K1-MET](#) (Austria)

FUNDING SCHEME AND CONSORTIUM

✓ Call: Horizon Europe Clean Steel Partnership (HORIZON-CL4-2021-TWIN-TRANSITION-01-19)

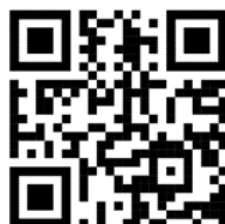
Type of action: Innovation Action (IA)

Granting authority: European Health and Digital Executive Agency

✓ The ReMFra project receives funding by the European Union (Grant Agreement no. 101058362).

A LinkedIn channel is available.

[ReMFra: Übersicht | LinkedIn](#)



30.11.2023 |
3